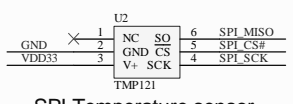
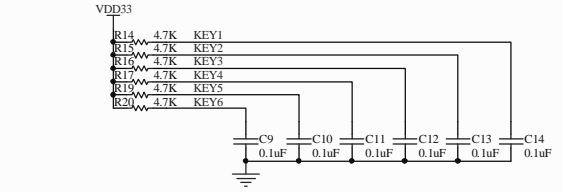
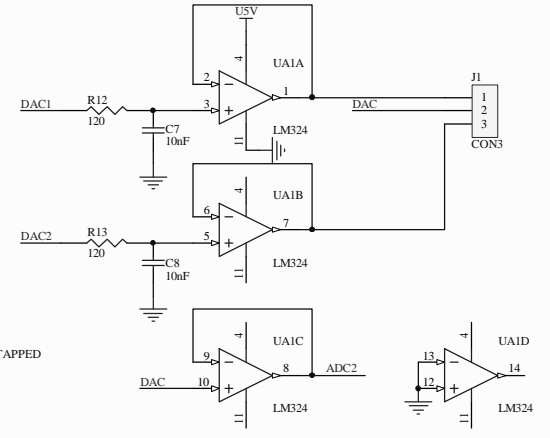
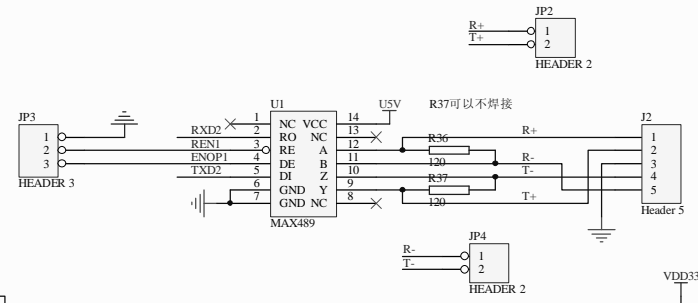
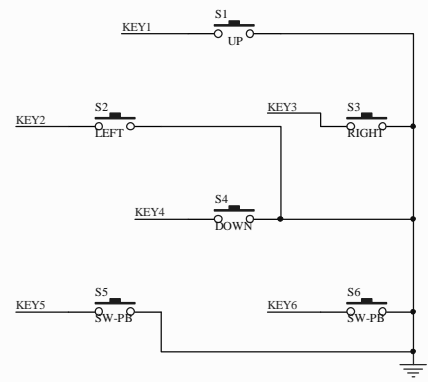
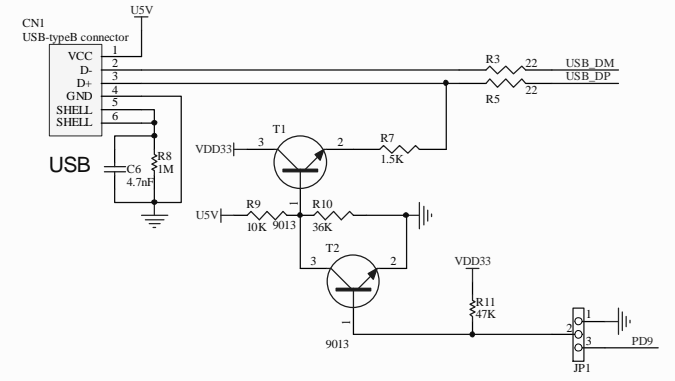
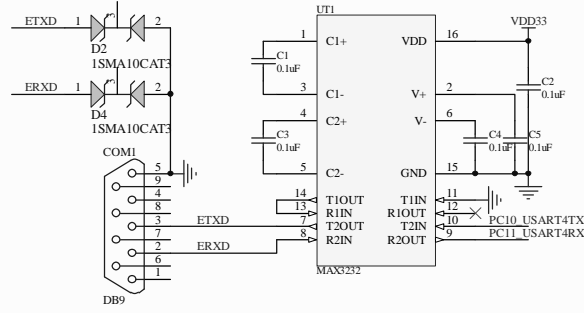
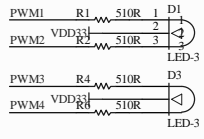
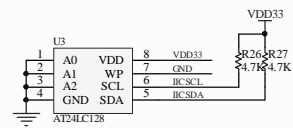
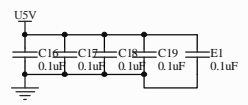
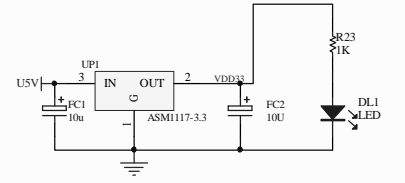
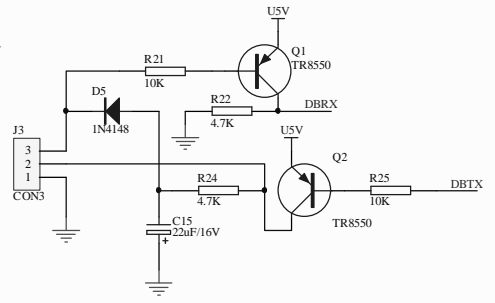


Title		
Size	Number	Revision
A4		
Date:	2010-4-22	Sheet of
File:	D:\Design\...\STM32_DIY.Sch	Drawn By:



SPI Temperature sensor



Title		
Size	Number	Revision
A3		
Date:	2010-4-22	Sheet of
File:	D:\Design\...\Peripherals.sch	Drawn By: